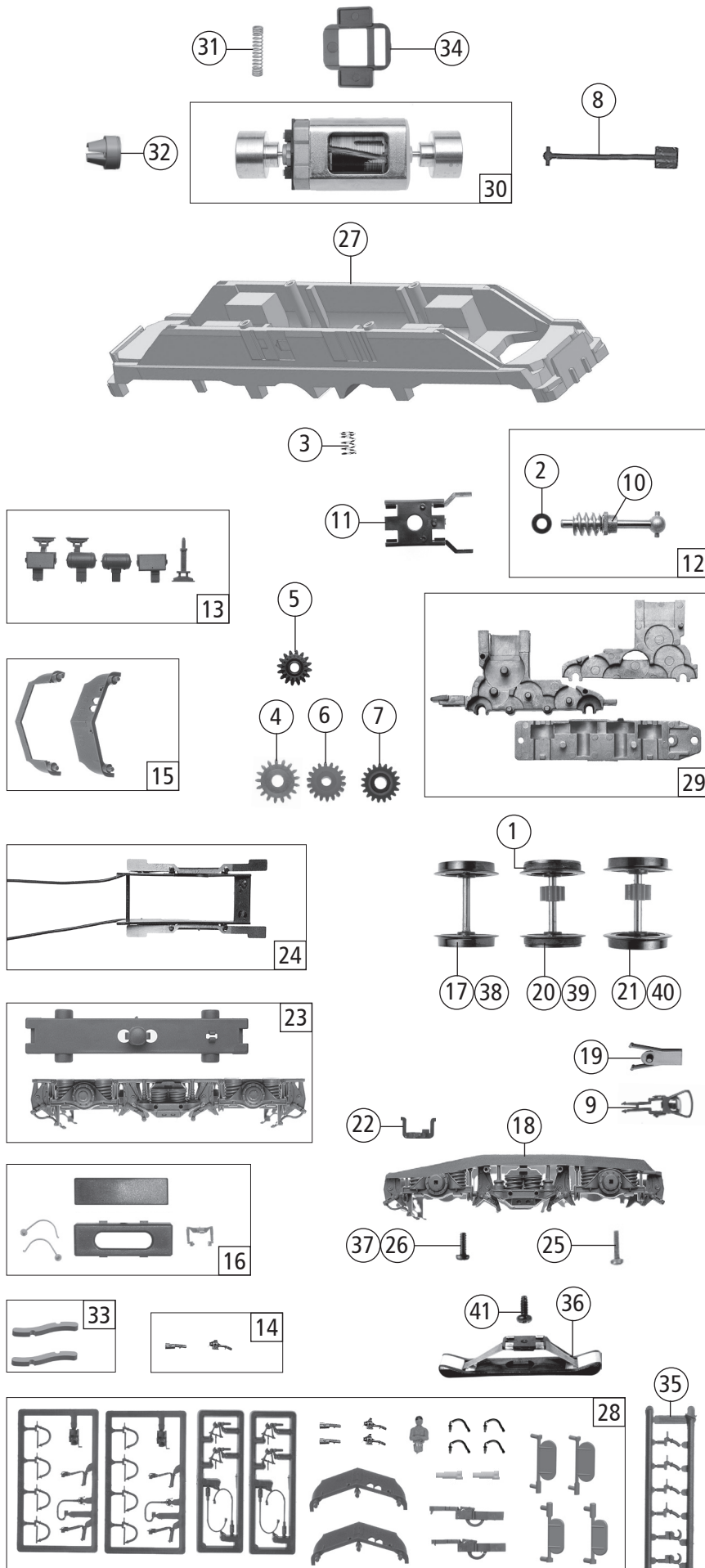


| Pos. Nr. Pos.no. | Beschreibung Description | Art.-Nr. Art.no. | Preisgruppe Price bracket |
|---------------------|------------------------------------------------------------------------------------------------|---------------------|------------------------------|
| 1 | Gehäuse komplett Betr. Nr. 11662 Body assembly no. 11662 | 138648 | 33 |
| 2 | Pantograph Pantograph | 85505 | 19 |
| 3 | Platine komplett Printed circuit assembly | 135972 | 29 |
| 4 | Lokpfeife Loko whistle | 88002 | 6 |
| 5 | GF-Schraube M2x5 mm GF-screw M2x5 mm | 114966 | 3 |
| 6 | E-Lokführer E-Loco driver | 110407 | 6 |
| 7 | Dachleitung LI/RE Roof wire LE/RI | 138650 | 10 |
| 8 | Isolatorsatz Insulating set | 106109 | 6 |
| 9 | TS - Spiegel Part set mirror | 135985 | 5 |
| 10 | Katodenfallableiter Cathodefall arrester | 114421 | 6 |
| 11 | TS - Flachleitungen Part set - flat cables | 135988 | 10 |
| 12 | Isolator Insulator | 109214 | 3 |
| 13 | Brückenstecker Connector | 129630 | 10 |
| 14 | Scheibenwischer LI/RE Windscreen wiper LE/RI | 131537 | 10 |
| 15 | TS - Dachdeckel Parts set - roof cover | 138649 | 10 |
| 16 | Führerstand Driver cab | 135984 | 5 |
| 17 | Griffstange Handrail | 110403 | 5 |
| 18 | Griffstange Handrail | 110404 | 5 |
| 19 | Stirngriff senkrecht Front handrail vertical | 134778 | 6 |
| 20 | Fahrplanhalter, Handbremshebel Timetable holder, hand brake lever | 131532 | 6 |
| 21 | Isolator Insulator | 108105 | 3 |
| 22 | Puffer links Buffer left | 110398 | 3 |
| 23 | Puffer rechts Buffer right | 110399 | 3 |
| 24 | Schweizer Wappen Swiss coat of arms | 134058 | 6 |
| 25 | Antenne kurz Antenna short | 134120 | 3 |
| 26 | Hebezyliner Pantograph drive | 134782 | 4 |
| 27 | Isolator - 7 Stück Insulator - 7 pcs. | 108196 | 3 |
| 28 | Schraube M1,6X6 Screw M1,6X6 | 113069 | 3 |
| 29 | Puffergriff lackiert Buffer step coated | 135989 | 5 |
| 30 | TS - Laufstege geb. Part set catwalks | 138651 | 19 |
| 31 | Umlaufblech lackiert End walk plate coated | 135991 | 6 |
| 32 | TS-Seitenfenster, Spitzenlicht Part set side window, peak light | 135981 | 7 |
| 33 | TS - Fenster Part set window | 135980 | 10 |
| 34 | Lichtabdeckung mit Lichttrenner Light cover with light separator | 131527 | 4 |
| 35 | UIC-Aufstieg UIC-socket | 134779 | 3 |
| 36 | Hauptschalterplatte Main switch plate | 135986 | 4 |
| 37 | Frontgriffstange Front handrail | 135987 | 3 |
| 38 | Lüftergitter geprägt Ventilator grid marked | 135983 | 6 |
| 39 | Lichtnagel eckig Light pin angular | 136028 | 3 |
| 40 | Spitzenlichtabdeckung Headlight cover | 136325 | 4 |
| 41 | Dachgriff 1&2 Roof handle 1&2 | 135992 | 7 |
| 42 | UIC-Dose UIC-socket | 136180 | 3 |
| Sound | | | |
| 43 | Lautsprecher Loud speaker | 129524 | 16 |
| 44 | Platine kpl. m. LED-Plat. Sound ohne Abb. Printed circuit assembly w. LED plat. so. o. ill. | 135993 | 30 |
| 45 | Sound-Steckdecoder - 22 Plux Sound decoder - 22 Plux | 129000 | 39 |
| 46 | Lautsprecherbox Loud speaker box | 134067 | 5 |



| Pos. Nr. Pos. no. | Beschreibung Description | Art.-Nr. Art. no. | Preisgruppe Price bracket |
|------------------------|--------------------------------------------------------------------------------|----------------------|------------------------------|
| 72588 | SBB RE 6/6 | | |
| 72589 | | | |
| 78589 | | | |
| 1 | Hafringsatz 10 Stk. 12,9-14,6mm Traction tires set 10 pieces 12,9-14,6mm | 40070 | --- |
| 2 | Beilagscheibe Washer | 86108 | 3 |
| 3 | Druckfeder Spring | 120382 | 4 |
| 4 | Zahnrad Z=17/0,4G Gear Z=17 | 86418 | 5 |
| 5 | Schneckenzahnrad doppelt Double worm gear | 86419 | 6 |
| 6 | Zahnrad Z=18 Gear Z=18 | 86460 | 3 |
| 7 | Zahnrad Z=19 Gear Z=19 | 86493 | 3 |
| 8 | Kardanwelle lang Cardan axle long | 87172 | 4 |
| 9 | Standardkupplung komplett Coupling standard | 89246 | 6 |
| 10 | Lager für Schneckenachse Worm axle bearing | 89749 | 6 |
| 11 | Schneckendeckel Wormcover | 106985 | 5 |
| 12 | Schneckensatz Worm set | 136181 | 13 |
| 13 | Teilesatz Parts set | 110373 | 9 |
| 14 | Teilesatz Parts set | 110374 | 7 |
| 15 | Bahnräumersatz Snow plug set | 110375 | 7 |
| 16 | Teilesatz Drehgestell Parts set bogie | 110381 | 9 |
| 17 | Radsatz ohne Zahnrad Wheelset without gear | 135975 | 10 |
| 18 | Drehgestellblende Bogie frame | 110383 | 10 |
| 19 | Kupplungsschacht Coupling holder | 110528 | 4 |
| 20 | Radsatz mit 2 Hafringen Wheelset with 2 traction tires | 135978 | 12 |
| 21 | Radsatz ohne Hafringe Wheelset without traction tires | 135977 | 11 |
| 22 | Trittbrett Step | 135976 | 5 |
| 23 | Teilesatz DG Blende Part set bogie | 110380 | 12 |
| 24 | Kontakthalter komplett Current contact frame assembly | 110385 | 9 |
| 25 | GF-Schraube M1,6x6 GF-Screw M1,6x6 | 114836 | 3 |
| 26 | GF-Schraube M1,6x5 GF-Screw M1,6x5 | 115269 | 3 |
| 27 | Grundrahmen Frame | 135970 | 16 |
| 28 | Zurüstbeutel Bag with accessories | 135974 | 15 |
| 29 | Getriebeteilesatz Gear parts set | 110977 | 13 |
| 30 | Motor Motor | 85111 | 28 |
| 31 | Kontaktfeder Contact spring | 116876 | 3 |
| 32 | Kardanschale kurz 1,5 mm Cardan bearing short 1,5mm | 87129 | 4 |
| 33 | Kabelklemme Cable clamp | 134034 | 10 |
| 34 | Distanzplättchen Spacer | 106116 | 3 |
| 35 | Attrappenrahmen klein schwarz Push in part set | 107808 | 4 |
| AC-Wechselstrom | | | |
| 36 | Schleifer 46 mm Collector 46 mm | 86033 | 14 |
| 37 | Schraube M1,5X5 Screw M1,5X5 | 108137 | 3 |
| 38 | Radsatz ohne Zahnrad Wheelset without gear | 135994 | 10 |
| 39 | Radsatz mit 2 Hafringen Wheelset with 2 traction tires | 135996 | 12 |
| 40 | Radsatz ohne Hafringe mit Zahnrad Wheelset without traction tires with gear | 135995 | 11 |
| 41 | GF-Schraube M2X5 GF-Screw M2x5 | 114966 | 3 |